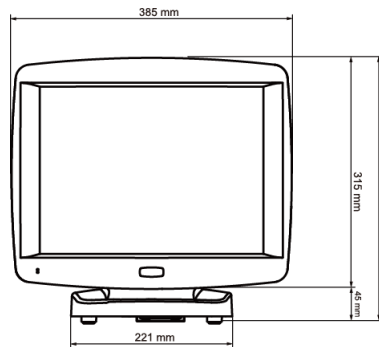


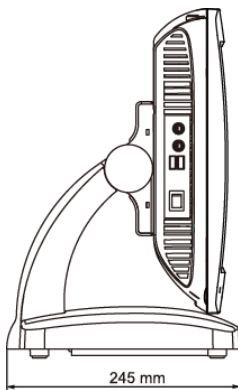
Glossy Piano Finish POS Terminal POS-3000



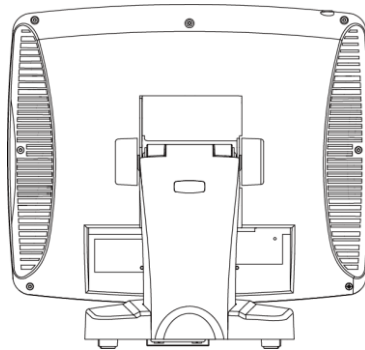
- **Dimensions**



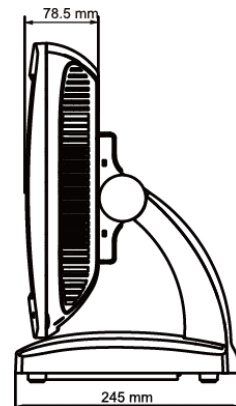
Front View



Left View



Rear View



Right View



- Specifications**

Model		POS-3000-i
Main Board		
CPU	Intel® Core™ i7 3630QM , 2.4GHz (6M Cache, up to 3.40 GHz) Intel® Core™ i5 3320M , 2.6GHz (3M Cache, up to 3.30 GHz) Intel® Core™ i3 3120M , 2.5GHz (3M Cache, 2.50 GHz)	
Chipset	Intel QM77	
System Memory	2 x DDR3 SO-DIMM 1333MHz, up to 16GB	
Graphic Memory	Share System Memory	
OS Support	POS Ready 2009, POS Ready 7, XP Pro, Vista, Linux, Windows 7	
Display		
Screen Size	15"	
Brightness	300 nits	
Resolution	1024 x 768 Pixel	
Touch Screen	5 Wire Resistive Type	
Tilting Angle	15~80 Degrees (up to 90 degree possible)	
Storage		
HDD	1 x 2.5" SATA Bay for HDD or SSD	
Auxiliary Storage	1 x CFast Slot for SATA I / SATA II	
Interface		
Serial	4 x COM (3 x DB9, 1 x RJ45 with power output, 5/12V selectable)	
Parallel	Optional	
USB	2 x USB 3.0 (External), 4 x USB 2.0 (External), 3 x USB 2.0 (Internal, reserved for touch screen, Wi-Fi, and MSR)	
PS/2 Mouse		
PS/2 Key Board	1x mixed PS2	
LAN	1 x RJ-45, Giga LAN Support	
VGA	1 x DB-15, Female	
DC Out	1 x 12VDC Jack for Customer Display or 2nd LCD Display (8" or 10.4")	
Cash Drawer	1 x RJ-11, 24 VDC	
Audio Jack	1 x Line Out, 1 x MIC In, 2 x Internal Speaker 2W	
Others		
Power Input	12VDC 90W, 4-pin Connector with Lock (External Adaptor: 100~240 VAC, 50/60HZ)	
Color	White, Black, Red	
Compliance	FCC / CE / WEEE / RoHS	
Weight	7.3 Kg	
Dimension (W x D x H: mm)	385(W) x 245(D) x 360(H)	
Operating Temperature	0°C~40°C	
Operating Humidity	20%~80% RH non-condensing	
Storage Temperature	-20°C~60°C	
Storage Humidity	20%~85% RH non-condensing	



Model	POS-3000-B
Main Board	
CPU	Intel® Bay Trail-D Platform, Celeron® Processor J1900 (2.0 GHz, 2M Cache)
Chipset	---
System Memory	1 x DDR3L SO-DIMM 1333MHz, up to 8 GB
Graphic Memory	Intel® HD Graphics
OS Support	POS Ready 7, Linux, Windows 7
Display	
Screen Size	15"
Brightness	300 nits
Resolution	1024 x 768 Pixel
Touch Screen	5 Wire Resistive Type
Tilting Angle	15~80 Degrees (up to 90 degree possible)
Storage	
HDD	1 x 2.5" SATA
Auxiliary Storage	1 x CFast Slot for SATA I / SATA II
Interface	
Serial	4 x COM (DB9, with COM 1/COM 2 power output, +5VDC/+12VDC, selectable by Jumper)
USB	1 x USB 3.0 (External), 4 x USB 2.0 (External, 2 x bottom/ 2 x side)
PS/2 Mouse	
PS/2 Key Board	1 x PS/2 (for PS/2 Keyboard/Mouse)
LAN	1 x RJ-45, Giga LAN Support
VGA	1 x DB-15, Female
DC Out	1 x 12VDC Jack for Customer Display or 2nd Display
Cash Drawer	1 x RJ-11, 12/24 VDC Selectable
Audio Jack	1 x Line Out, 1 x MIC In, 2 x Internal Speaker 2W
Others	
Power Input	12VDC 90W, 4-pin Connector with Lock (External Adaptor: 100~240 VAC, 50/60HZ)
Color	White, Black, Red
Compliance	FCC / CE / WEEE / RoHS
Weight	7.3 Kg
Dimension (W x D x H: mm)	385(W) x 360(H) x 245(D)
Operating Temperature	0°C~40°C
Operating Humidity	20% ~ 80% RH non-condensing
Storage Temperature	-20°C~ 60°C
Storage Humidity	20% ~ 85% RH non-condensing

