



Small Tray



Large Tray



Auxiliary Display

MWP SERIES

Micro Weighing Scale

- High Accuracy
- Total 8 Units available (g, ct, lb, oz, GN, ozt, dwt, tl)
- Counting, Weighing, Percentage Function Modes
- Auto Blue Backlight (80hrs continuous use)
- RS-232 Serial Interface (PC, Printer)
- Wind Shield Included



AUX Display (Optional)



MWP SERIES | Micro Weighing Scale

SPECIFICATIONS

Model	MWP-N					MWP-H			
Max. Capacity (g)	150	300	600	1500	3000	300	600	1200	3000
Readability (g)	0.005	0.01	0.02	0.05	0.1	0.005	0.01	0.02	0.05
External Resolution	1/30,000 ~ 1/60,000								
Display Digit	6 Digits (Weight)								
Display Type	LCD with Backlight								
Operating Temp.	0°C~40°C								
Power	AC Adapter 12V, DC/500mA, Internal rechargeable lead acid batter								
Platter Size	ø116 mm					144mm(W) x 124mm(D)			
Dimensions	200mm(W) x 250mm(D) x 80mm(H)								
Product Weight	1.3 kg					1.4 kg			

FEATURES

- High Accuracy
- Total 8 Units Available (g, ct, lb, oz, GN, ozt, dwt, tl)
- Counting, Weighing, Percentage Function Modes
- Auto Blue Backlight (80hrs Continuous Use)
- Built-in Rechargeable Battery
- RS-232 Serial Interface (PC, Printer)
- Wind Shield Included
- Overload Alarm Function
- Auto Power Off Function
- Auto Span Calibration & Auto Zero Tracking

OPTIONS

- USB Interface
- Auxiliary LCD Display



CAS

CAS BLDG., # 440-1, SUNGNAE-DONG,
GANGDONG-GU, SEOUL, KOREA

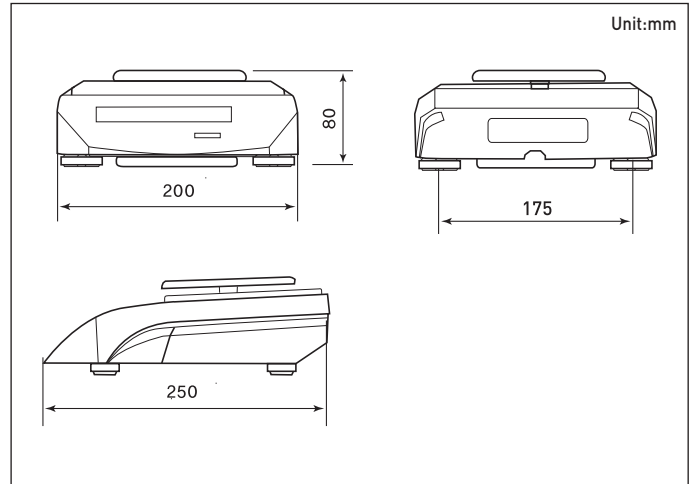
TEL_ 82 2 2225 3500

FAX_ 82 2 475 4668

<http://www.globalcas.com>

Specifications are subject to change for improvement without prior notice.

DIMENSIONS



LARGE & SMALL PLATTERS



MWP-H

MWP-N