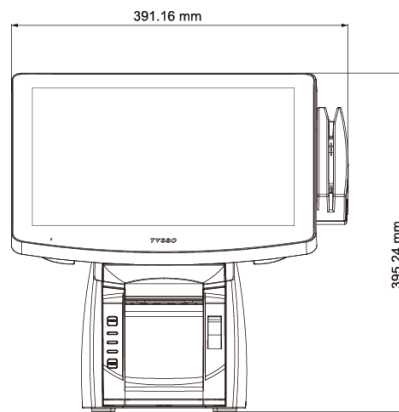


Modular Fanless POS System

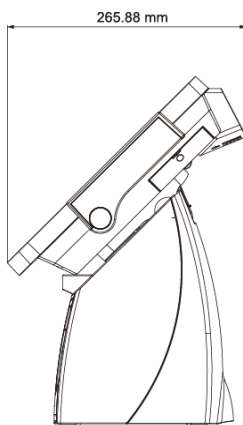
POP-650



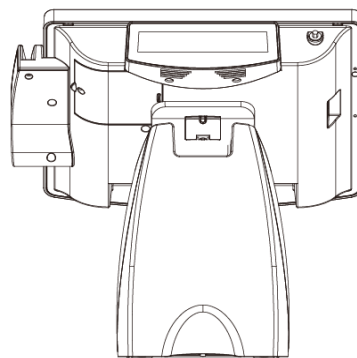
- **Dimensions**



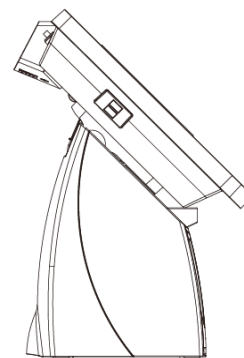
Front View



Left View



Rear View



Right View



- Specifications

Model	POP-650-i
Main Board	
CPU	Intel® Core™ i7 3630QM , 2.4GHz (6M Cache, up to 3.40 GHz) Intel® Core™ i5 3320M , 2.6GHz (3M Cache, up to 3.30 GHz) Intel® Core™ i3 3120M , 2.5GHz (3M Cache, 2.50 GHz)
Chipset	Intel® QM77 Express chipset
System Memory	2 x 204 pin DDR3 SO-DIMM Socket 1333MHz, up to 16GB
Graphic Memory	Intel® HD Graphics 4000
OS Support	POS Ready 2009, POS Ready 7, XP Pro, Vista, Windows 7, Linux
Display	
Screen Size	15" Full Flat LCD Monitor
Brightness	300 nits
Resolution	1024 x 768 Pixel
Touch Screen	5 Wire Resistive Type or Projective Capacitive
Tilting Angle	35~90 Degree
Storage	
HDD	1 x 2.5" SATA
Compact Flash	1 x CFast Slot for SATA/SATA II
Interface	
Serial	4 x COM (3 x DB9, 1 x RJ45 with power output, 5/12V selectable)
Parallel	Optional
USB	2 x USB 3.0 (External), 4 x USB 2.0 (External), 3 x USB 2.0 (Internal, reserved for touch screen, Wi-Fi, and MSR)
PS/2 Mouse	1 x mini-DIN-6 port mixed PS/2 (for PS/2 Keyboard/Mouse)
PS/2 Key Board	
LAN	1 x RJ-45, Giga LAN Support
VGA	1 x DB-15, Female
DC Out	1 x 12VDC Jack for Customer Display or 2nd Display, 1 x 24VDC 3-pin Connector with Lock for Printer
Cash Drawer	1 x RJ-11, 12/24 VDC Selectable
Audio Jack	1 x Line Out, 1 x MIC In, 1 x Internal Speaker 2W
Others	
Power Input	12VDC 180W, 4-pin Connector with Lock (External Adaptor: 100~240 VAC, 50/60HZ)
Color	Silver. Black
Compliance	FCC / CE / WEEE / RoHS
Weight	8.5 Kg
Dimension (W x D x H: mm)	391(W) x 266(D) x 395(H)
Operating Temperature	0°C~40°C
Operating Humidity	20%~80% RH non-condensing
Storage Temperature	-20°C~55°C
Storage Humidity	20%~85% RH non-condensing



Model		POP-650-B	
Main Board			
CPU	Intel® Bay Trail-D Platform, Celeron® Processor J1900 (2.0 GHz, 2M Cache)		
System Memory	1 x DDR3L SO-DIMM 1333MHz, up to 8 GB		
Graphic Memory	Intel® HD Graphics		
OS Support	POS Ready 7, Linux, Windows 7		
Display			
Screen Size	15" Full Flat LCD Monitor		
Brightness	300 nits		
Resolution	1024 x 768 Pixel		
Touch Screen	5 Wire Resistive Type or Projective Capacitive		
Tilting Angle	35 ~ 90 Degree		
Storage			
HDD	1 x 2.5" SATA		
Compact Flash	1 x CFast Slot for SATA I / SATA II		
Interface			
Serial	4 x COM (DB9, with COM 1/COM 2 power output, +5VDC/+12VDC, selectable by Jumper)		
USB	1 x USB 3.0 (External), 4 x USB 2.0 (External, 2 x bottom/ 2 x side)		
PS/2 Mouse	1 x PS/2 (for PS/2 Keyboard/Mouse)		
PS/2 Key Board			
LAN	1 x RJ-45, Giga LAN Support		
VGA	1 x DB-15, Female		
DC Out	1 x 12VDC Jack for Customer Display or 2nd Display, 1 x 24VDC 3-pin Connector with Lock for Printer		
Cash Drawer	1 x RJ-11, +12/+24 VDC		
Audio Jack	1 x Line Out, 1 x MIC In, 1 x Internal Speaker 2W		
Others			
Power Input	12VDC 180W, 4-pin Connector with Lock (External Adaptor: 100~240 VAC, 50/60HZ)		
Color	Silver. Black		
Compliance	FCC / CE / WEEE / RoHS		
Weight	8.5 Kg		
Dimension (W x D x H: mm)	391(W) x 266(D) x 395(H)		
Operating Temperature	0°C~40°C		
Operating Humidity	20%~80% RH non-condensing		
Storage Temperature	-20°C~55°C		
Storage Humidity	20%~85% RH non-condensing		

